

# Product data sheet

## Characteristics

# QC816F200C

Meter mains, QO, combination service entrance, ringless socket, 200A, surface mount, maximum 8 spaces, 16 circuits, no bypass

Product availability : Stock - Normally stocked in distribution facility



### Main

Product or component type	Meter Mains
Range of product	QO

### Complementary

Line Rated Current	200 A
Short-circuit current	22 kA
Network number of phases	1
Meter socket type	Ringless
Mounting	Surface
Number of spaces	8
Number of circuits	16
Number of Tandem Breakers	8
Hub type	A
Electrical connection	Feed-thru lugs line side Feed-thru lugs service ground
Wire Size	AWG 6...350 kcmil aluminium/copper)line side AWG 12...AWG 2/0 aluminium/copper)service ground
Tightening torque	Main lugs 250 lb.in, AWG 6...350 kcmil, aluminium/copper Service ground 50 lb.in, AWG 14...AWG 2/0, copper Service ground 50 lb.in, AWG 12...AWG 2/0, aluminium Branch lugs 35 lb.in, AWG 6...AWG 4, aluminium/copper Branch lugs 25 lb.in, AWG 8, aluminium/copper Branch lugs 20 lb.in, AWG 14...AWG 10, copper Branch lugs 20 lb.in, AWG 12...AWG 10, aluminium Cover 10 lb.in
Disconnect	Service disconnect (factory installed)

\* Price is "List Price" and may be subject to a trade discount – check with your local distributor or retailer for actual price.

Main Breaker Rating	200 A
Branch Breaker Rating	200 A
Service feed location	OH UG
Bypass type	No bypass
Depth	5.07 in (128.78 mm)
Width	14.37 in (365.00 mm)
Height	35.15 in (892.81 mm)

## Environment

Product certifications	UL E-6294
------------------------	-----------

## Ordering and shipping details

Category	00022 - QO METER MAINS
Discount Schedule	DE3A
GTIN	00785901001065
Package weight(Lbs)	41.2 lb(US) (18.69 kg)
Returnability	Yes
Country of origin	MX

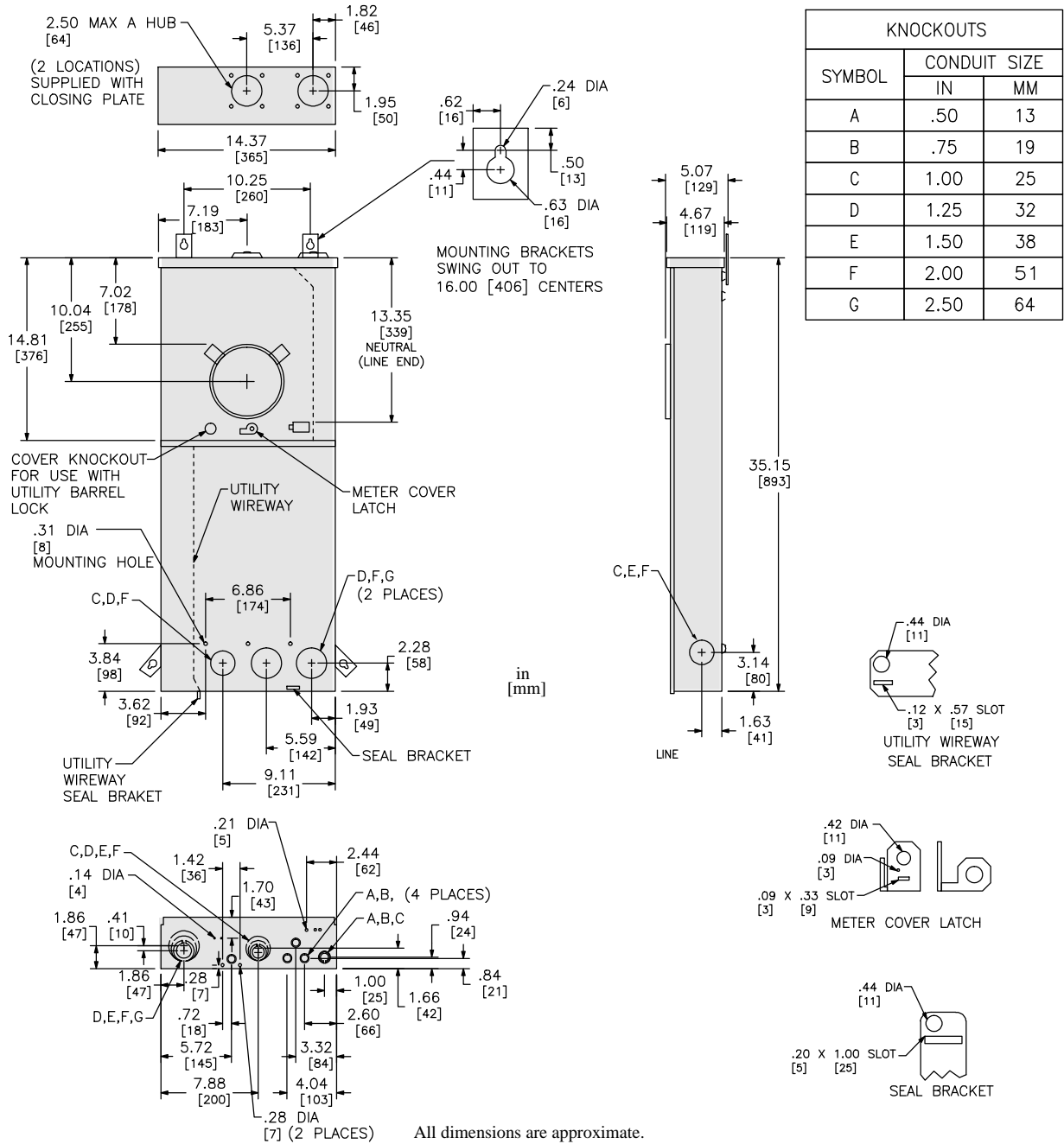
## Offer Sustainability

Sustainable offer status	Green Premium product
California proposition 65	WARNING: This product can expose you to chemicals including: Lead and lead compounds, which is known to the State of California to cause cancer and birth defects or other reproductive harm. For more information go to <a href="http://www.P65Warnings.ca.gov">www.P65Warnings.ca.gov</a>
REACH Regulation	<a href="#">REACH Declaration</a>
REACH free of SVHC	Yes
EU RoHS Directive	Compliant <a href="#">EU RoHS Declaration</a>
Mercury free	Yes
RoHS exemption information	<a href="#">Yes</a>
China RoHS Regulation	<a href="#">China RoHS declaration</a> Product out of China RoHS scope. Substance declaration for your information.
Environmental Disclosure	<a href="#">Product Environmental Profile</a>

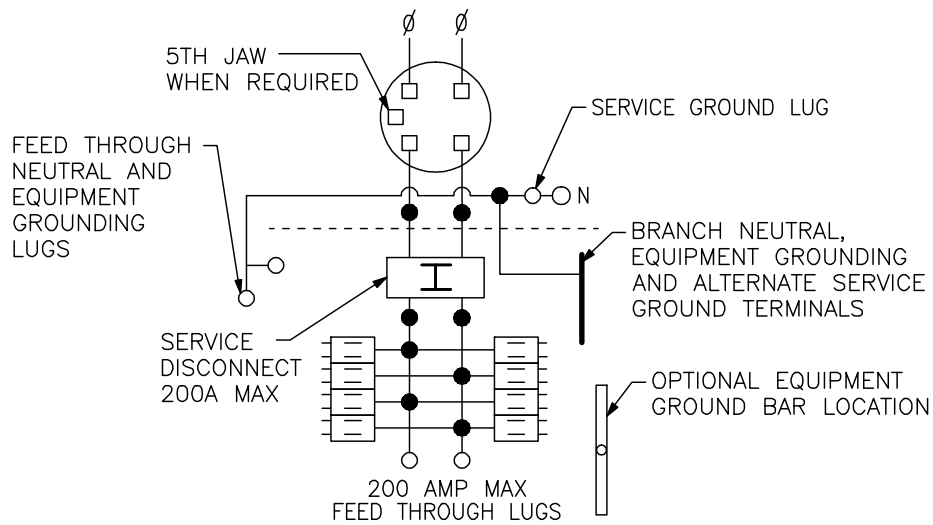
## Contractual warranty

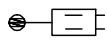
Warranty	18 months
----------	-----------

Dimensions



Wiring Diagram



 TWO SINGLE POLE, ONE PLUG-ON SPACE TYPE QOT OR ONE SINGLE POLE TYPE QO. TWO POLE TYPE QO OR QOA (15-100A) MAY PLUG ON TWO ADJACENT SPACES. TWO POLE TYPE QOC (150-200A) MAY PLUG ON FOUR ADJACENT SPACES.  
**USE 10-100A AND 150-200A BRANCH BREAKERS ONLY.**

A SQUARE D UL LISTED SECONDARY SURGE ARRESTER MAY PLUG ON TWO ADJACENT SPACES. ORDER CATALOG NO. QQ2175SB.